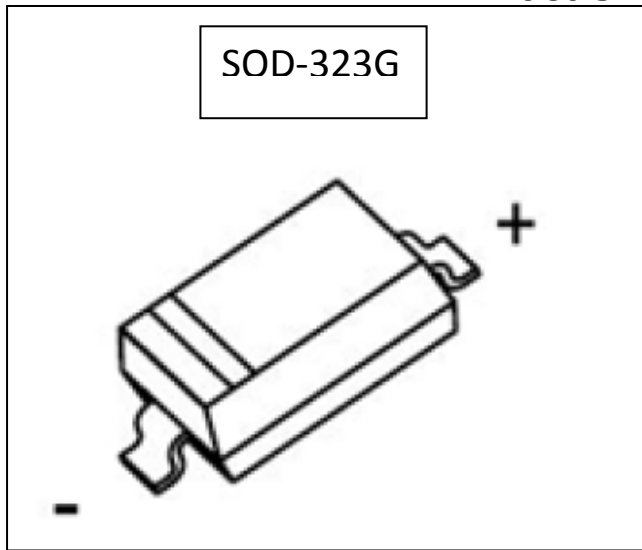


Fast Switching Diode



Features

- PD 200mw
- IO 150mA

Applications

- Fast switching devices
- High Stability and High Reliability
- Low reverse leakage

Marking T4

■Maximum Ratings & Thermal Characteristics(Ta=25℃ unless otherwise specified)

Item	Symbol	Data	Conditions	Limit
Reverse Voltage	VR	V		75
Peak Reverse Voltage	VRM	V		100
Non-repetitive Peak Forward Current	IFM	mA		300
Peak Forward Surge Current	IFSM	A	tp=1 us; TA=25℃	2.0
Working Inverse Voltage	WIV	V		75
Average Rectified Current	IO	mA		150
Power Dissipation	PD	mW		200
Operating Junction Temperature	TJ	℃		150
Storage Temperature Range	TS	℃		-65 to +150



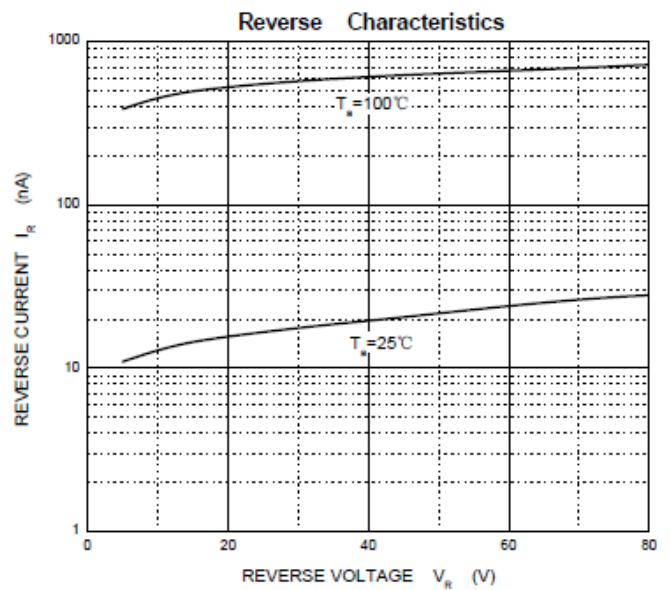
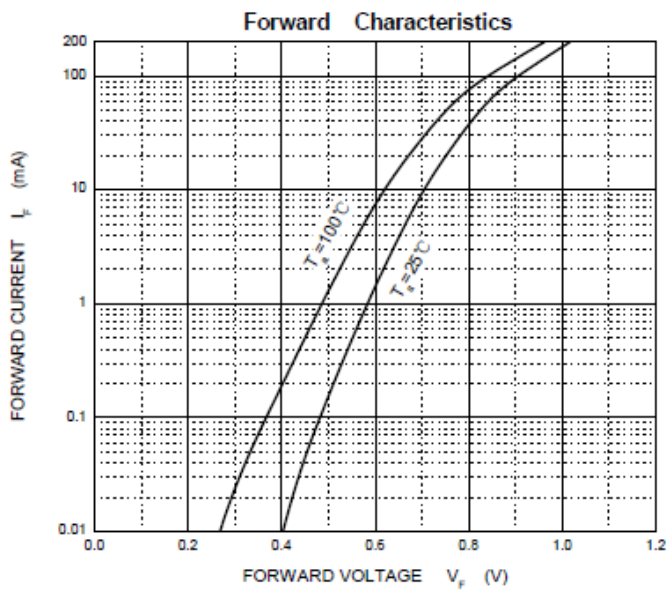
1N4148WS

■ Electrical Characteristics (Ta=25°C Unless otherwise specified)

Item	Symbol	Data	Conditions	Min	Max
Breakdown Voltage	BV	V	IR= 100uA	100	
			IR= 5uA	75	
Forward Voltage	VF	V	IF=1.0mA		0.715
			IF=10mA		0.855
			IF=50mA		1.00
			IF=150mA		1.25
Reverse Leakage Current	IR	nA	VR=20V		25
		uA	VR=75V		1
Capacitance	CT	pF	VR=0V, f=1MHz		2.0
Reverse Recovery Time	TRR	nS	IF=IR=10mA, RL=100Ω, IRR=0.1*IR		4.0

*IF(AV)= 10A×2

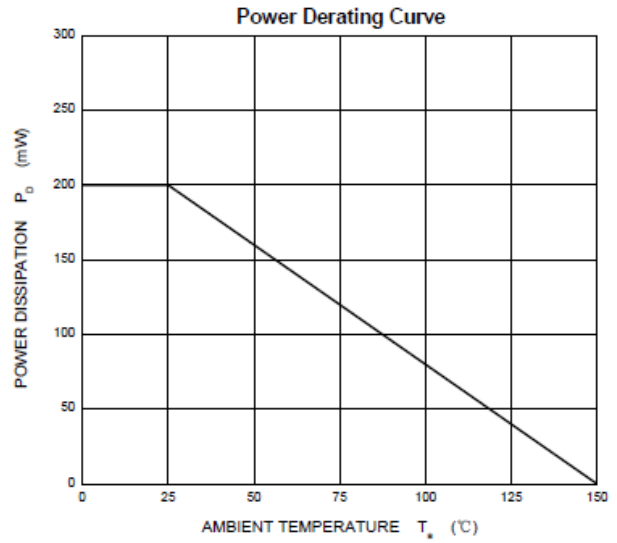
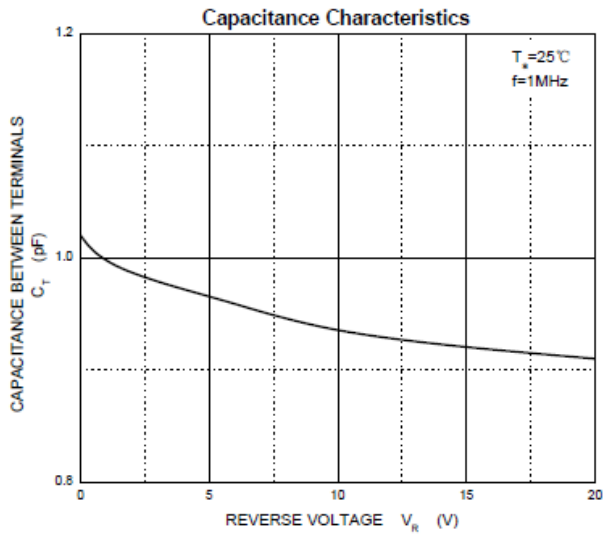
■ Characteristics (Typical)



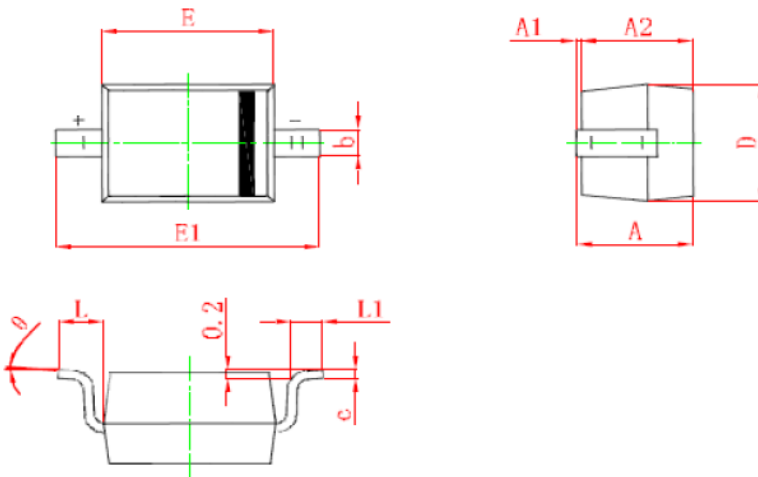


1N4148WS

■ Characteristics (Typical)



■ SOD323G Package Outline Dimensions



Symbol	Min.(mm)	Max.(mm)
A		1.000
A1	0.000	0.100
A2	0.800	0.900
b	0.250	0.350
c	0.080	0.150
D	1.200	1.400
E	1.600	1.800
E1	2.500	2.700
L	0.475REF	
L1	0.250	0.400
θ	0°	8°

■ Packing Information

Device	Package	Shipping
1N4148WS	SOD-323G	3000/Tape&Reel